

DS-2CD2067G2H-LIU/SL

6 MP Smart Hybrid Light with ColorVu Fixed Mini Bullet Network Camera



- High quality imaging with 6 MP resolution
- Smart Hybrid Light: advanced technology with long range
- Clear imaging against strong back light due to 130 dB WDR technology
- Efficient H.265+ compression technology
- Focus on human and vehicle classification based on deep learning
- Provide real-time security via built-in two-way audio
- Active strobe light and audio alarm to warn intruders off
- Support on-board storage up to 512 GB (SD card slot)
- Water and dust resistant (IP67)

▪ Specification

Model		DS-2CD2067G2H-LIU/SL
Camera	Image Sensor	1/1.8" Progressive Scan CMOS
	Max. Resolution	3200 × 1800
	Min. Illumination	Color: 0.0005 Lux @ (F1.0, AGC ON), 0 Lux with light
	Shutter Time	1/3 s to 1/100,000 s
	Day & Night	IR cut filter
	Angle Adjustment	Pan: 0° to 360°, tilt: 0° to 90°, rotate: 0° to 360°
Lens	Lens Type	Fixed focal lens, 2.8 and 4 mm optional
	Focal Length & FOV	2.8 mm, horizontal FOV 105.1°, vertical FOV 54.8°, diagonal FOV 128.2° 4 mm, horizontal FOV 90.0°, vertical FOV 45.8°, diagonal FOV 109.4°
	Lens Mount	M16
	Iris Type	Fixed
	Aperture	F1.0
	Depth of Field	2.8 mm: 3.3 m to ∞ 4 mm: 3.8 m to ∞
DORI	DORI	2.8 mm: D: 89 m, O: 35 m, R: 17 m, I: 8 m 4 mm: D: 109 m, O: 43 m, R: 21 m, I: 10 m
Illuminator	Supplement Light Type	IR, White Light
	Supplement Light Range	Up to 40 m
	Smart Supplement Light	Yes
	IR Wavelength	850 nm
Video	Main Stream	50 Hz: 25 fps (3200 × 1800, 2688 × 1520, 1920 × 1080, 1280 × 720)
		60 Hz: 24 fps (3200 × 1800)
		30 fps (2688 × 1520, 1920 × 1080, 1280 × 720)
	Sub-Stream	50 Hz: 25 fps (1280 × 720, 640 × 480, 640 × 360)
		60 Hz: 30 fps (1280 × 720, 640 × 480, 640 × 360)
	Third Stream	50 Hz: 10 fps (1920 × 1080, 1280 × 720, 640 × 480, 640 × 360) 60 Hz: 10 fps (1920 × 1080, 1280 × 720, 640 × 480, 640 × 360) *Third stream is supported under certain settings.
Video Compression	Main stream: H.265/H.264/H.264+/H.265+, Sub-stream: H.265/H.264/MJPEG, Third stream: H.265/H.264, *Third stream is supported under certain settings.	
Video Bit Rate	32 Kbps to 16 Mbps	
H.264 Type	Baseline Profile, Main Profile, High Profile	

	H.265 Type	Main Profile
	Bit Rate Control	CBR,VBR
	Scalable Video Coding (SVC)	H.264 and H.265 encoding
	Region of Interest (ROI)	1 fixed region for main stream and sub-stream
Audio	Audio Type	Mono sound
	Audio Compression	G.711/G.722.1/G.726/MP2L2/PCM/MP3/AAC-LC
	Audio Bit Rate	64 Kbps (G.711ulaw/G.711alaw)/16 Kbps (G.722.1)/16 Kbps (G.726)/32 to 192 Kbps (MP2L2)/8 to 320 Kbps (MP3)/16 to 64 Kbps (AAC-LC)
	Audio Sampling Rate	8 kHz/16 kHz/32 kHz/44.1 kHz/48 kHz
	Environment Noise Filtering	Yes
Network	Protocols	TCP/IP, ICMP, HTTP, HTTPS, FTP, DHCP, DNS, DDNS, RTP, RTSP, RTCP, NTP, UPnP, SMTP, IGMP, 802.1X, QoS, IPv4, IPv6, UDP, Bonjour, SSL/TLS, PPPoE, SNMP, WebSocket, WebSockets, SRTP, SFTP
	Simultaneous Live View	Up to 6 channels
	API	Open Network Video Interface (Profile S, Profile G, Profile T), ISAPI, SDK, ISUP
	User/Host	Up to 32 users 3 user levels: administrator, operator, and user
	Security	Password protection, complicated password, HTTPS encryption, 802.1X authentication (EAP-TLS, EAP-LEAP, EAP-MD5), watermark, IP address filter, basic and digest authentication for HTTP/HTTPS, WSSE and digest authentication for Open Network Video Interface, RTP/RTSP over HTTPS, control timeout settings, security audit log, TLS 1.1/1.2/1.3, host authentication (MAC address)
	Network Storage	NAS (NFS, SMB/CIFS), Auto Network Replenishment (ANR)
	Client	iVMS-4200, Hik-Connect
	Web Browser	Plug-in required live view: IE 10, IE 11, Plug-in free live view: Chrome 57.0+, Firefox 52.0+, Edge 89+, Local service: Chrome 57.0+, Firefox 52.0+, Edge 89+
Image	Image Parameters Switch	Yes
	Image Settings	Rotate mode, saturation, brightness, contrast, sharpness, gain, white balance, adjustable by client software or web browser
	Day/Night Switch	Day, Night, Auto, Schedule
	Image Enhancement	BLC, HLC, 3D DNR, Defog
	SNR	≥ 52 dB
	Wide Dynamic	130 dB

	Range (WDR)	
	Privacy Mask	4 programmable polygon privacy masks
Interface	Ethernet Interface	1 RJ45 10 M/100 M self-adaptive Ethernet port
	On-Board Storage	Built-in memory card slot, support microSD/microSDHC/microSDXC card, up to 512 GB
	Built-in Microphone	Yes, 1 built-in microphone
	Built-in Speaker	Max. power consumption: 1.2 W, max. sound pressure level: 10 cm: 95 dB.
	Reset Key	Yes
Event	Basic Event	Motion detection (support alarm triggering by specified target types (human and vehicle)), video tampering alarm, exception
	Smart Event	Scene change detection
	Linkage	Upload to FTP/NAS/memory card, notify surveillance center, send email, trigger alarm output, trigger recording, trigger capture, audible warning, strobe light
Deep Learning Function	Face Capture	Yes
	Perimeter Protection	Line crossing, intrusion, region entrance, region exiting Support alarm triggering by specified target types (human and vehicle)
General	Power	12 VDC \pm 25%, 0.58 A, max. 7.0 W, \varnothing 5.5 mm coaxial power plug, reverse polarity protection, PoE: IEEE 802.3af, Class 3, max. 8.5 W
	Material	Metal
	Dimension	\varnothing 74.4 mm \times 179.2 mm (\varnothing 2.9" \times 7.1")
	Package Dimension	234 mm \times 120 mm \times 117 mm (9.2" \times 4.7" \times 4.6")
	Weight	Approx. 510 g (1.1 lb.)
	With Package Weight	Approx. 880 g (1.9 lb.)
	Storage Conditions	-30 °C to 60 °C (-22 °F to 140 °F). Humidity 95% or less (non-condensing)
	Startup and Operating Conditions	-30 °C to 60 °C (-22 °F to 140 °F). Humidity 95% or less (non-condensing)
	General Function	Heartbeat, mirror, flash log, password reset via email, pixel counter, anti-banding
	Language	33 languages: English, Russian, Estonian, Bulgarian, Hungarian, Greek, German, Italian, Czech, Slovak, French, Polish, Dutch, Portuguese, Spanish, Romanian, Danish, Swedish, Norwegian, Finnish, Croatian, Slovenian, Serbian, Turkish, Korean, Traditional Chinese, Thai, Vietnamese, Japanese, Latvian, Lithuanian, Portuguese (Brazil), Ukrainian
Approval	EMC	CE-EMC: EN 55032:2015+A1:2020, EN 50130-4:2011+A1:2014, EN IEC 61000-3-2:2019+A1:2021, EN 61000-3-3:2013+A1:2019+A2:2021, RCM: AS/NZS CISPR 32: 2015, IC: ICES-003: Issue 7, KC: KN32: 2015, KN35: 2015
	Safety	UL: UL 62368-1,

		CB: IEC 62368-1:2014+A11, CE-LVD: EN 62368-1:2014/A11: 2017
	Environment	CE-RoHS: 2011/65/EU
	Protection	IP67: IEC 60529-2013

▪ Typical Application

Hikvision products are classified into three levels according to their anti-corrosion performance. Refer to the following description to choose for your using environment.

This model has NO SPECIFIC PROTECTION.

Level	Description
Top-level protection	Hikvision products at this level are equipped for use in areas where professional anti-corrosion protection is a must. Typical application scenarios include coastlines, docks, chemical plants, and more.
Moderate protection	Hikvision products at this level are equipped for use in areas with moderate anti-corrosion demands. Typical application scenarios include coastal areas about 2 kilometers (1.24 miles) away from coastlines, as well as areas affected by acid rain.
No specific protection	Hikvision products at this level are equipped for use in areas where no specific anti-corrosion protection is needed.

▪ Available Model

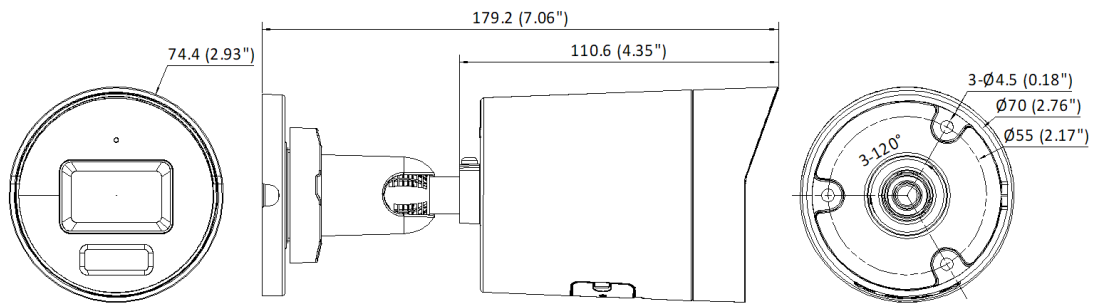
DS-2CD2067G2H-LIU/SL(2.8mm)

DS-2CD2067G2H-LIU/SL(4mm)

DS-2CD2067G2H-LIU/SL 2.8mm EF PL(POLAND)

DS-2CD2067G2H-LIU/SL 4mm EF PL(POLAND)




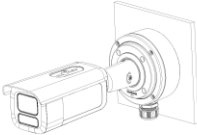
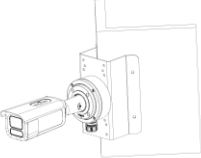
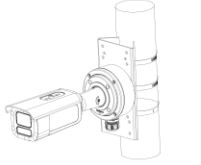
▪ Dimension



Unit: mm (inch)

▪ **Accessory**

▪ **Optional**

DS-1280ZJ-XS Junction box	DS-1276ZJ-SUS Corner mount	DS-1275ZJ-SUS Vertical pole mount
		
		

See Far, Go Further



www.hikvision.com
support@hikvision.com

